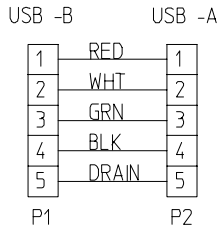
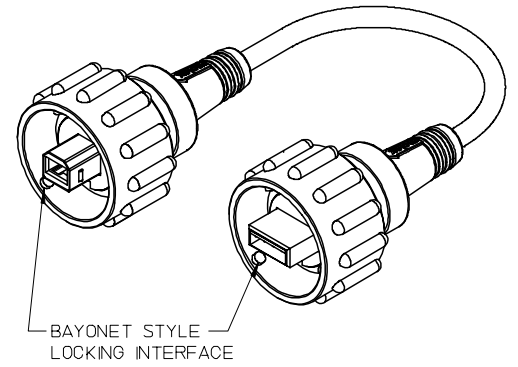
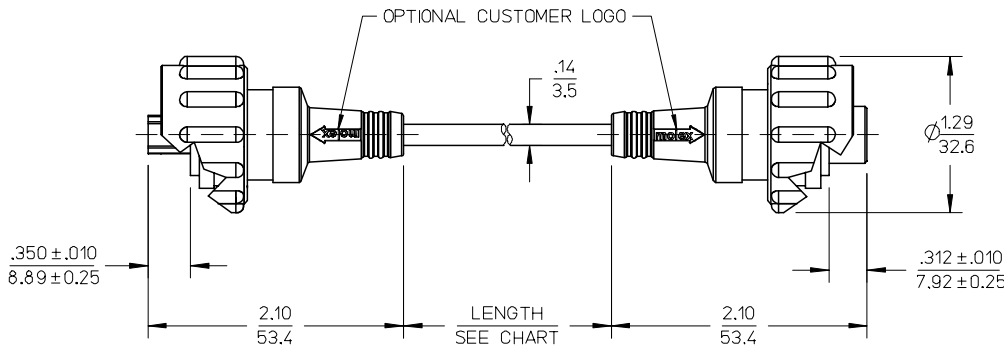
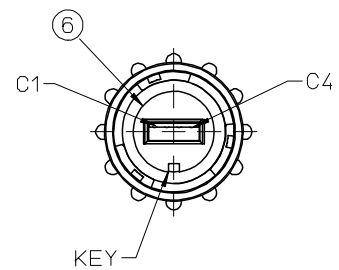
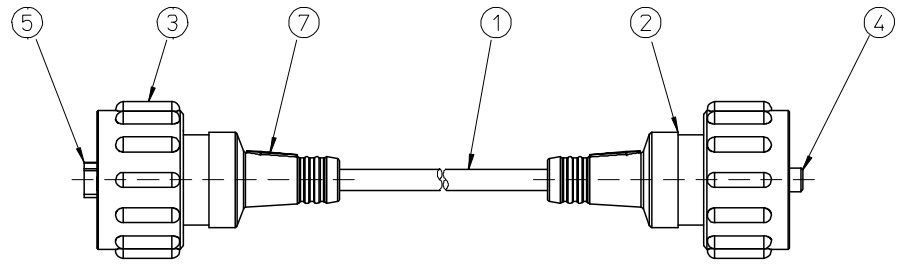
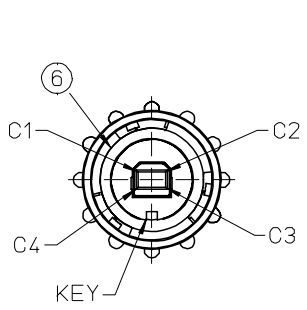


PART NO.	LENGTH
847320001	0.8M (31.50") +1.0"/-0.0"
847320002	1.5M (59.06") +1.5"/-0.0"
847320003	2.0M (78.74") +1.5"/-0.0"
847320004	3.0M (118.11") +1.5"/-0.0"
847320005	5.0M (196.85") +2.0"/-0.0"



WIRING DIAGRAM



- NOTES: UNLESS OTHERWISE SPECIFIED
1. MATERIAL: SEE TABLE.
 2. FINISH: SEE TABLE.
 3. PRODUCT SPECIFICATION: SEE SPECIFICATION.
 4. PACKAGING: AS REQUIRED.
 5. MATES WITH BAYONET STYLE USB A & B BAYONET LOCKING RECEPTACLES.
 6. ASSEMBLY IS RoHS COMPLIANT.

ITEM	QTY.	DESCRIPTION	MATERIAL NO.	FINISH
7	2	OVERMOLD	PVC	BLACK
6	2	GASKET SEAL	NITRILE	BLACK
5	1	USB TYPE -B SHIELDED PLUG	-	-
4	1	USB TYPE -A SHIELDED PLUG	-	-
3	2	COUPLING RING	POLYESTER	BLACK
2	2	HOLDERS USB A-B	POLYESTER	BLACK
1	1	CABLE 4/C, 28AWG, SHIELD/DRAIN USB	-	BLACK

CADKEY TO ME10
 EC NO: ETC2007-0426
 DRWN: TROMANO 2007/05/29
 CHKD: J. MACNEIL 2007/05/29
 APPR: J. MACNEIL 2007/05/30

QUALITY SYMBOLS
 ▽=0
 ▽=0

GENERAL TOLERANCES (UNLESS SPECIFIED)

	mm	INCH
4 PLACES	± .005	± .0005
3 PLACES	± .010	± .0010
2 PLACES	± 0.13	± .01
1 PLACE	± 0.3	± .0125

ANGULAR ± 2 °

DRAFT WHERE APPLICABLE
 MUST REMAIN WITHIN DIMENSIONS

DIMENSION STYLE: IN/MM

SCALE: ---

DESIGN UNITS: INCH

THIRD ANGLE PROJECTION

DRAWN BY: S. GILBERT DATE: 11-30-04
 CHECKED BY: DATE:

APPROVED BY: DATE:

MATERIAL NO.: DOCUMENT NO.: SHEET NO.: 1 OF 1

TITLE: USB DUAL PLUG TYPE A & B COUPLER SHIELDED CABLE CIC, DE EXT CORD

MOLEX INCORPORATED

SD-84732-001

THIS DRAWING CONTAINS INFORMATION THAT IS PROPRIETARY TO MOLEX INCORPORATED AND SHOULD NOT BE USED WITHOUT WRITTEN PERMISSION